

Breast & Ovarian Health Report

03/31/2008

Provider: Christine Masonick

Julie Snap

123 Any Street, Any City, IL 12345
Phone: (123) 456-7890
DOB: 02/05/1970 Age: 38
Gender: F Ethnicity: Caucasian

BREAST & OVARIAN CANCER RISK EVALUATION

Julie may be at elevated risk for breast or ovarian cancer. The following factors contribute to her increased risk:

- Family history of cancer consistent with hereditary causes
- Increased risk for sporadic breast cancer

Julie is likely to be a candidate for genetic counseling and evaluation for BRCA genetic testing. Refer to her Breast & Ovarian Cancer Risk Report for more information.

BREAST AND HEALTH CARE

Alert	Patient Status	NCH Standard of Care
Annual breast MRI may be indicated	Lifetime risk > 20%	Annual breast MRI screening for elevated risk patients
Mammogram may be indicated	(1)5-year risk score of 1.7% or greater (2)Family history of cancer consistent with hereditary causes (3)Carcinoma-in-situ or atypical hyperplasia	Annual mammography for elevated risk patients starting before age 40
Pap test may be indicated	No Pap test reported	Pap test every 36 months

The American Cancer Society recommends annual breast MRI screening as an adjunct to annual mammography for patients at elevated risk to developing breast cancer and suggests evaluating the need for breast MRI screening in the context of other clinical factors for certain patient subsets.

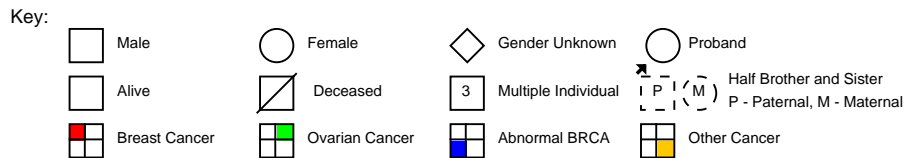
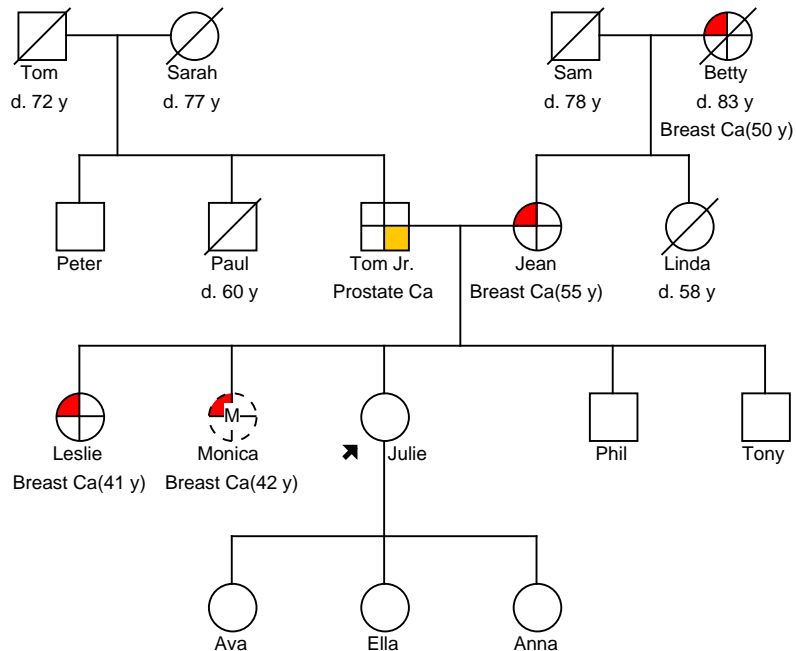
PERSONAL HEALTH HISTORY

Age of menarche	11 yrs	Last mammogram	Not reported
Age of menopause	Premenopausal	Last pelvic exam	Not reported
Age of first live birth	17 yrs	Last pelvic ultrasound	Not reported
Number of pregnancies	3	Last transvaginal ultrasound	Not reported
Number of live births	3	Last breast MRI	Not reported
Number of breast biopsies	2		
One or more w/ atypical hyperplasia	Yes	Taken birth control pills	No
One or more w/ carcinoma-in-situ	No	Taken hormones	No
Oophorectomy	No		
Tubal ligation	No		

PERSONAL CANCER HISTORY

No cancer history was reported by the patient on the Breast & Ovarian Cancer Risk Profile Questionnaire.

FAMILY HISTORY



FAMILY CANCER HISTORY

<u>Relation</u>	<u>Alive/Deceased</u>	<u>Type(s) of Cancer</u>	<u>Onset Age</u>	<u>Abnormal BRCA</u>
Mother	Alive	Breast (Unilateral)	55	
Father	Alive	Prostate	Not reported	
Sister	Alive	Breast (Unilateral)	41	
Grandmother (M)	Deceased age 83	Breast (Unilateral)	50	
Half sister (M)	Alive	Breast (Unilateral)	42	

DISCLAIMER: The above information is based on data provided by the patient, may or may not be complete and may or may not be correct. The patient's medical and family history should be carefully reviewed and any and all such information should be independently confirmed or denied. The material contained (herein) is for informational purposes only and is not intended to provide medical advice, diagnoses, or suggestions for treatment. We do not warrant or represent that the information is complete, accurate, current or reliable or that it will be suitable for your needs. Under no circumstances, shall the POINTONE Systems, LLC or anyone else involved in creating or maintaining this information be liable for any direct, indirect, incidental, special or consequential damages, or lost profits that result from the use of this information.